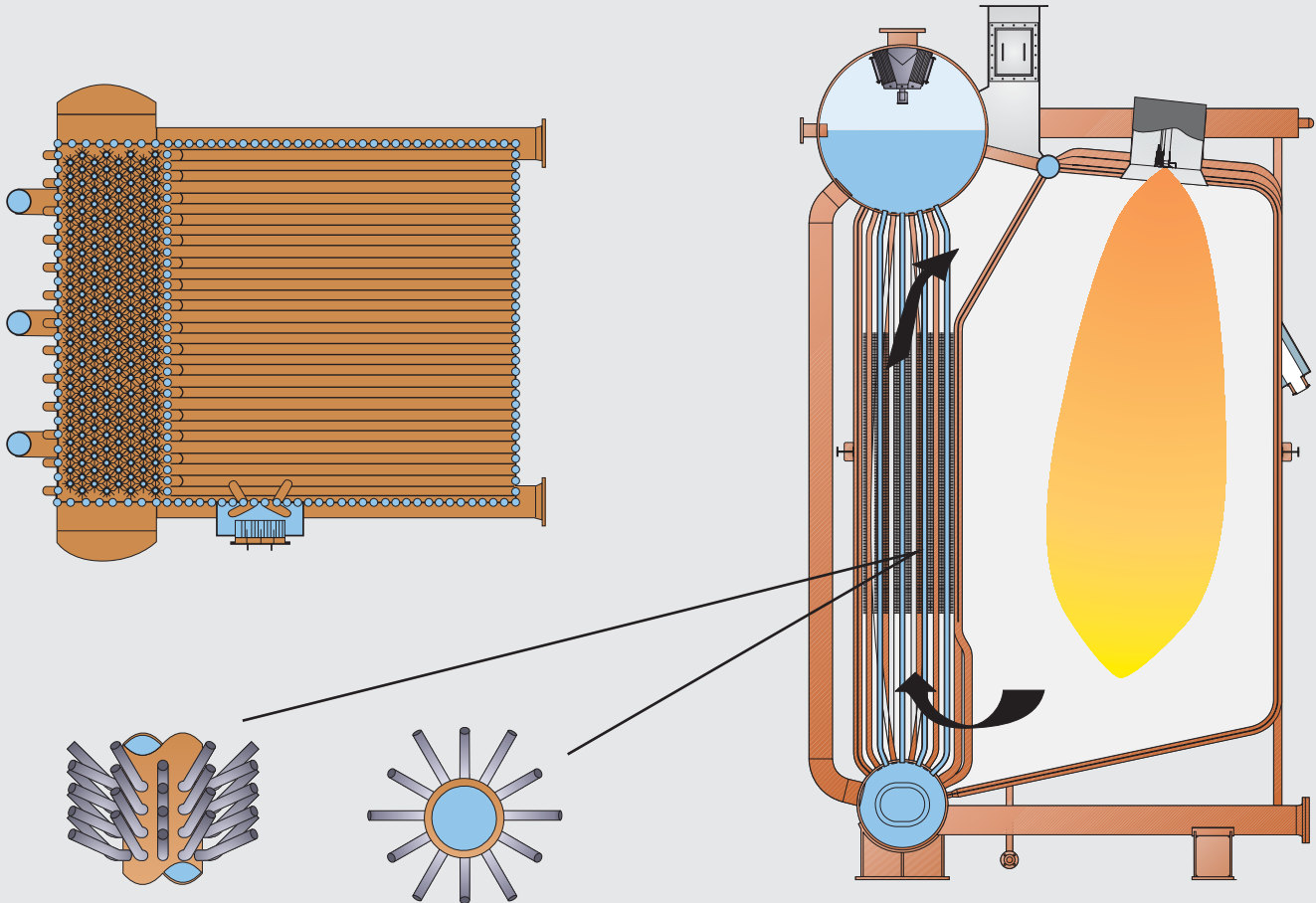


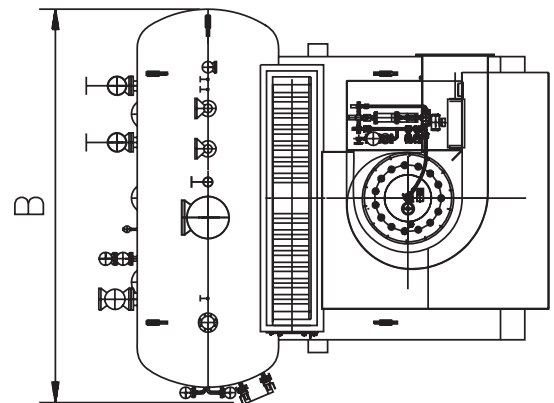
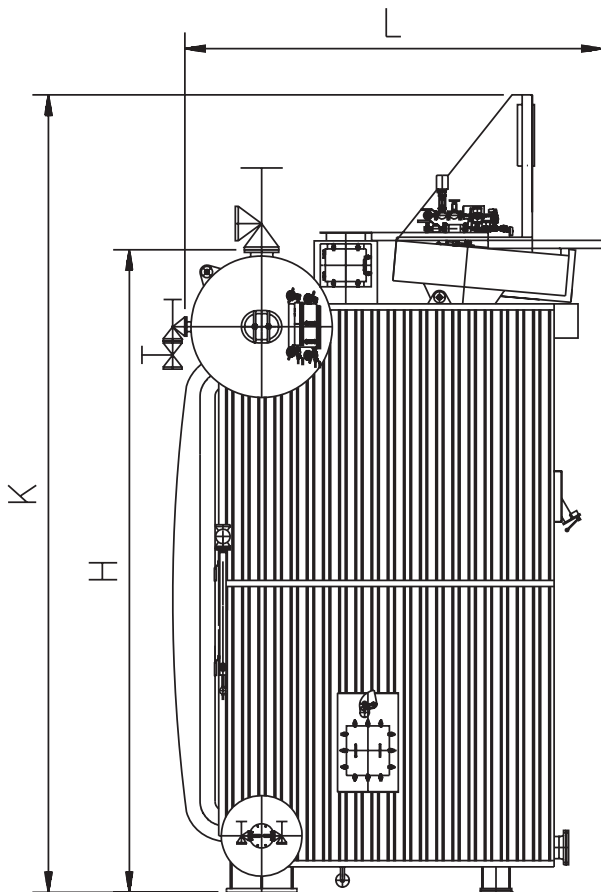
MISSION™ D-type



MISSION™ D-type is a standard vertical two-drum boiler. The furnace is built of membrane walls and contains a minimum of refractory.

The convection section consists of straight pin tubes with bent pins that provide a high heat transfer coefficient and low pressure loss. Circulation is ensured by downcomers arranged outside the furnace.

Capacity range: 25 – 120 t/h



STANDARD PRODUCT RANGE

Capacity and dimensions

Steam capacity	Design pressure	Thermal output at 100% MCR	Height K (incl retraction of burner lance)	Total length L	Height H	Width B (steam drum+200)	Boiler dry weight *	Boiler operation weight
kg/h	bar (g)	kW	mm	mm	mm	mm	ton	ton
25,000	18	17,600	9,170	4,309	6,280	3,837	31.6	39.6
35,000	18	24,700	9,520	4,583	6,980	4,187	38.2	48.6
45,000	18	31,800	9,870	5,050	8,080	4,875	44.2	57.0
55,000	18	38,800	10,370	5,413	8,480	5,131	50.6	65.7
70,000	18	49,400	10,670	5,508	8,080	6,031	60.9	78.7
80,000	18	56,500	10,670	5,705	8,080	6,571	66.5	86.1
100,000	18	70,600	11,170	6,006	8,480	7,677	81.1	105.6
120,000	18	84,700	11,470	6,779	9,380	8,049	91.8	120.9

*) boiler dry weight incl. burner, insulation, valves, and refractory

DATA SHEET series

© Aalborg Industries Marketing 1999, rev.: 2.3, June 2005
(Reservation is made for design data changes without prior notice).

Your Preferred Partner